

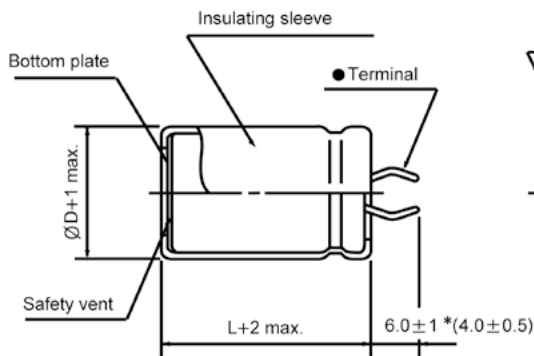
**LN** Snap-in Terminal Type, Ultra High Voltage Series

- Ultra high voltage
- High ripple current
- Suit for use in industrial power supplies for inverter, etc.
- Complied to the RoHS directive

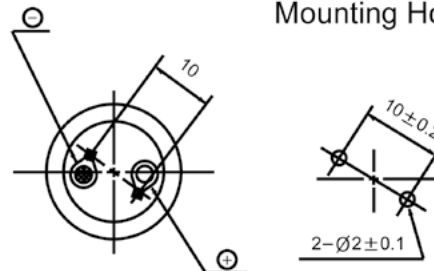
Items	Performance characteristics			
Operating temperature range	-25 ~ +85°C			
Leakage current max.	$I = 3\sqrt{CV}$ (μA) (after 5 minutes)			
Capacitance tolerance	±20% at 120Hz, 20°C			
Dissipation factor max. (at 120Hz, 20°C )	WV	575	600	630
	Tanδ	0.20	0.20	0.20
Load life (after application of the rated voltage for 3000 hours at 85°C )	Leakage current	Less than specified value		
	Capacitance change	Within ±20% of initial value		
	Tanδ	Less than 200% of specified value		
Shelf life (at 85°C )	After 1000 hours no load test, leakage current, capacitance and tanδ are same as load life value.			

● DRAWING

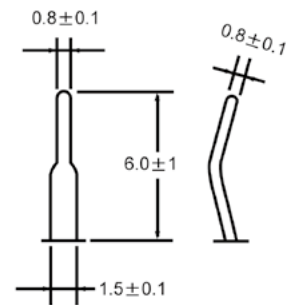
∅D ≤ 40



PC Board Mounting Holes

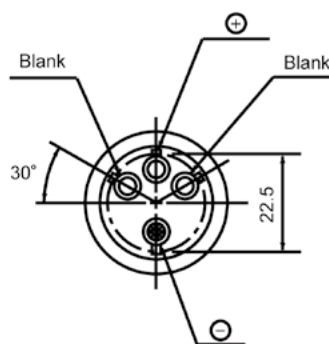
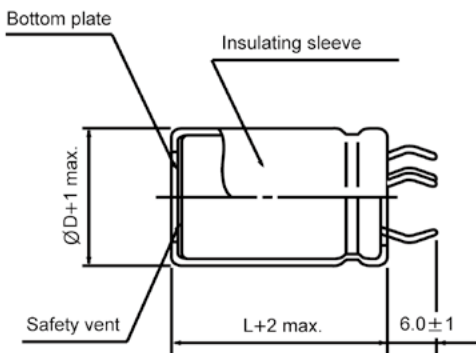


Terminal

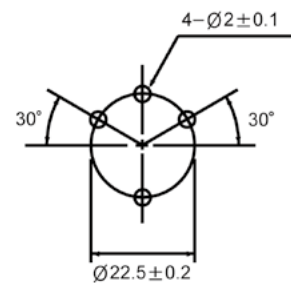


\* Shorter terminal(4.0 ± 0.5) is also available upon request.  
Terminal length of height 20mm products is applied shorter terminal to standard terminal type.

∅D = 35, 40



PC Board Mounting Holes



● FREQUENCY COEFFICIENT OF PERMISSIBLE RIPPLE CURRENT

Frequency WV	50Hz	120Hz	300Hz	1kHz	10kHz	≥50kHz
575 ~ 630	0.80	1.00	1.16	1.30	1.41	1.45

**LN Series**

● DIMENSIONS & MAXIMUM PERMISSIBLE RIPPLE CURRENT

$\mu\text{F}$ \diagdown WV	575		600		630	
150			30×45	0.95	30×45	0.93
180	30×45	1.15	30×50	1.10	30×50	1.00
220	30×50	1.30	30×60	1.22	30×60	1.10
270	30×60	1.55	30×70	1.25	30×70	1.20
	35×45	1.55				
330	30×70	1.75	30×80	1.35	30×85	1.32
	35×50	1.75				
	40×45	1.75	40×50	1.35	40×50	1.32
390	30×85	1.95	40×60	1.48	40×60	1.45
	35×60	1.95				
	40×55	1.95				
470	35×70	2.15	40×70	1.65	40×70	1.60
	40×60	2.15				
560	35×80	2.40	40×80	1.75	40×80	1.70
	40×70	2.40				
680	35×95	2.72	40×90	1.83	40×95	1.80
	40×80	2.72				
820	40×100	3.05				

Ripple current (A rms) at 85°C , 120Hz  
 Case size  $\Phi$  D×L (mm)