

LD Snap-in Terminal type,
105°C High speed charge-discharge

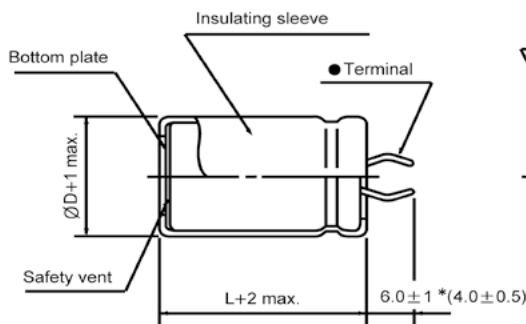
- Suited for high frequency regenerative voltage for AC servomotor, general inverter.
- Suited for equipment used at voltage fluctuating area.
- Suited for rectifier circuit of voltage doubler.
- Complied to the RoHS directive.

Items	Performance characteristics				
Operating temperature range	-25 ~ +105°C				
Leakage current max.	$I \leq 3\sqrt{V}$ (μA) (after 5 minutes)				
Capacitance tolerance	±20% at 120Hz, 20°C				
Dissipation factor max. (at 120Hz, 20°C)	WV	350	400	420	450
	Tanδ	0.15	0.15	0.20	0.20
Endurance of charge-discharge behavior	Leakage current	Less than specified value			
	Capacitance change	Within ±20% of initial value			
	Tanδ	Less than 300% of specified value			
Load life (after application of the rated voltage for 3000 hours at 105°C)	Leakage current	Less than specified value			
	Capacitance change	Within ±20% of initial value			
	Tanδ	Less than 200% of specified value			
Shelf life (at 105°C)	After 1000 hours no load test, leakage current, capacitance and tanδ are same as load life value.				

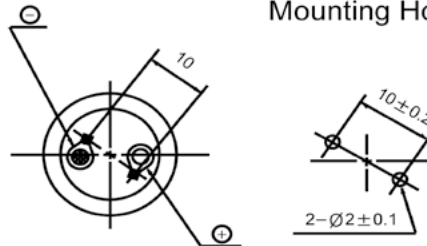
● DRAWING

Unit : mm

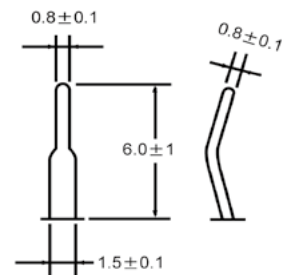
∅D ≤ 40



PC Board Mounting Holes

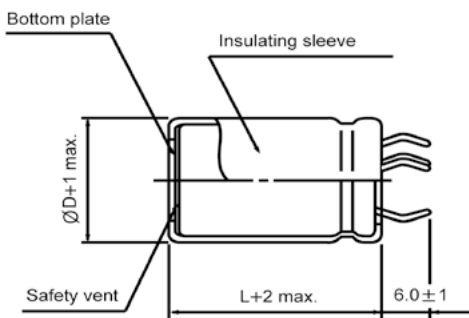


Terminal

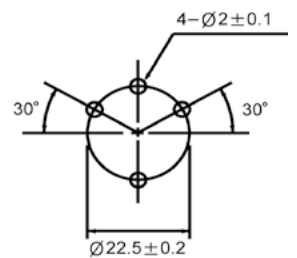
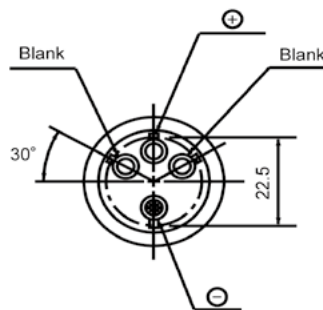


* Shorter terminal(4.0±0.5) is also available upon request.
Terminal length of height 20mm products is applied shorter terminal to standard terminal type.

∅D=35, 40



PC Board Mounting Holes



LD Series

● FREQUENCY COEFFICIENT OF PERMISSIBLE RIPPLE CURRENT

Frequency WV	50Hz	60Hz	120Hz	300Hz	1kHz	10kHz	50kHz≤
350 ~ 450	0.77	0.82	1.00	1.16	1.30	1.41	1.43

● DIMENSIONS & MAXIMUM PERMISSIBLE RIPPLE CURRENT

WV μF	350		400		420		450	
82							22×25	0.64
100			22×25	0.68	22×25	0.66	22×30 25×25	0.69 0.69
120	22×25	0.75	22×30	0.73	22×30 25×25	0.81 0.81	22×35 25×30	0.72 0.72
150	22×30	0.82	22×35	0.85	22×35 25×30	0.84 0.84	22×40 25×30 30×25	0.79 0.79 0.79
180	22×30 25×25	0.90 0.90	22×35 25×30 30×25	0.95 0.95 0.95	22×40 25×30 30×25	0.91 0.91 0.91	22×45 25×35 30×30	0.87 0.87 0.87
220	22×35 25×30	1.00 1.00	22×45 25×35 30×25	1.10 1.10 1.10	22×45 25×35 30×30	1.05 1.05 1.05	25×40 30×30 35×25	1.05 1.05 1.05
270	22×40 25×35 30×25	1.10 1.10 1.10	22×50 25×40 30×30 35×25	1.22 1.22 1.22 1.22	25×40 30×30 35×25	1.25 1.25 1.25	25×50 30×35 35×30	1.23 1.23 1.23
330	22×45 25×40 30×30	1.20 1.20 1.20	25×45 30×35	1.44 1.44	25×50 30×35 35×30	1.42 1.42 1.42	30×40 35×35	1.38 1.38
390	25×45 30×35	1.30 1.30	25×50 30×40 35×30	1.55 1.55 1.55	30×40 35×35	1.61 1.61	30×50 35×40	1.61 1.61
470	25×50 30×40 35×30	1.40 1.40 1.40	30×45 35×35	1.68 1.68	30×45 35×40	1.86 1.86	35×45	1.78
560	30×45 35×35	1.50 1.50	30×50 35×40	1.90 1.90	35×45	2.10	35×50	1.99
680	30×50 35×40	1.70 1.70	35×45	2.12	35×50	2.20		
820	35×45	1.90						

Ripple current (A rms) at 105°C , 120Hz
 Case size ΦD×L (mm)