

LB High Temperature Range, For 125°C Use Series

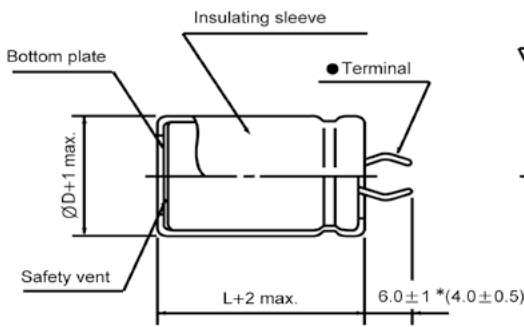
- Wide operating temperature range of -40 ~ +125°C
- With a guaranteed useful life of 10 years at 60°C
- Ideal for industrial applications requiring continuous operation
- Complied to the RoHS directive.

| Items | Performance characteristics | | | | | | | | | |
|--|---|------|------|------|------|-----------------------------------|------|--------|---------|--|
| Operating temperature range | -40 ~ +125°C | | | | | | | | | |
| Leakage current max. | $I=3\sqrt{CV}$ (μA) (after 5 minutes) | | | | | | | | | |
| Capacitance tolerance | ±20% at 120Hz, 20°C | | | | | | | | | |
| Dissipation factor max. (at 120Hz, 20°C) | WV | 10 | 16 | 25 | 35 | 50 | 63 | 80,100 | 160~250 | |
| | Tanδ | 0.55 | 0.50 | 0.40 | 0.35 | 0.30 | 0.25 | 0.20 | 0.15 | |
| Load life (after application of the rated voltage for 1000 hours at 125°C) | Leakage current | | | | | Less than specified value | | | | |
| | Capacitance change | | | | | Within ±20% of initial value | | | | |
| | Tanδ | | | | | Less than 200% of specified value | | | | |
| Shelf life (at 125°C) | After 1000 hours no load test, leakage current, capacitance and tanδ are same as load life value. | | | | | | | | | |

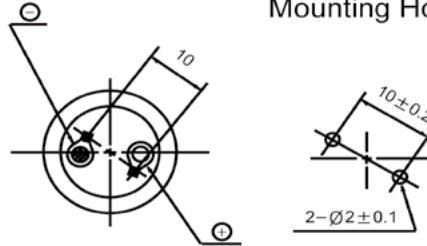
● DRAWING

Unit : mm

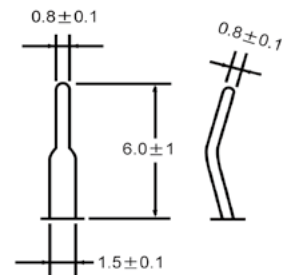
∅D ≤ 40



PC Board Mounting Holes

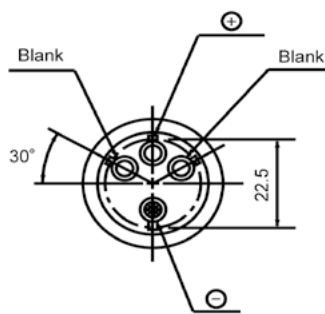
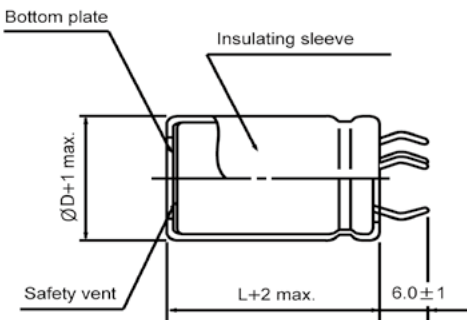


Terminal

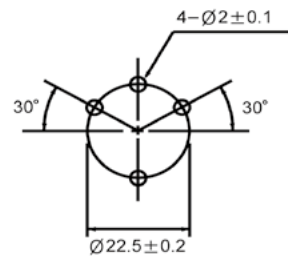


* Shorter terminal(4.0 ± 0.5) is also available upon request.
Terminal length of height 20mm products is applied shorter terminal to standard terminal type.

∅D = 35, 40



PC Board Mounting Holes



● FREQUENCY COEFFICIENT OF PERMISSIBLE RIPPLE CURRENT

| WV | Frequency | 50Hz | 120Hz | 300Hz | 1kHz | 10kHz≤ |
|-------|-----------|------|-------|-------|------|--------|
| ~ 100 | | 0.85 | 1.00 | 1.06 | 1.15 | 1.20 |
| 160 ~ | | 0.85 | 1.00 | 1.20 | 1.25 | 1.45 |

LB Series

● DIMENSIONS & MAXIMUM PERMISSIBLE RIPPLE CURRENT

| WV μF | 10 | | 16 | | 25 | | 35 | | 50 | | 63 | |
|----------|-------------------------|----------------------|-------------------------|----------------------|-------------------------|----------------------|-------------------------|----------------------|-------------------------|----------------------|-------------------------|----------------------|
| 470 | | | | | | | | | | | 22×35 25×30 | 0.69 0.71 |
| 680 | | | | | | | | | 22×30 | 0.78 | 22×40 25×35 30×30 | 0.87 0.91 0.93 |
| 1000 | | | | | | | 22×30 | 0.85 | 22×40 25×30 | 1.06 1.04 | 25×45 30×35 35×30 | 1.21 1.19 1.22 |
| 1500 | | | | | 22×30 | 0.95 | 22×40 25×30 | 1.16 1.14 | 22×50 25×40 30×30 | 1.42 1.42 1.39 | 30×45 35×40 | 1.60 1.65 |
| 2200 | | | 22×30 | 1.00 | 22×40 25×30 | 1.28 1.26 | 22×50 25×40 30×30 | 1.54 1.54 1.50 | 30×40 35×35 | 1.86 1.91 | 35×50 | 2.16 |
| 3300 | 22×30 | 1.09 | 22×40 25×35 | 1.36 1.41 | 22×50 25×40 30×30 | 1.72 1.72 1.68 | 30×40 35×35 | 2.04 2.09 | 35×40 | 2.45 | | |
| 4700 | 22×40 25×35 | 1.45 1.51 | 22×50 25×40 30×30 | 1.78 1.77 1.74 | 25×50 30×40 35×30 | 2.23 2.22 2.17 | 35×40 | 2.61 | | | | |
| 6800 | 22×50 25×40 30×35 | 1.91 1.91 1.97 | 30×40 35×30 | 2.31 2.26 | 30×50 35×40 | 2.90 2.87 | | | | | | |
| 10000 | 30×45 35×35 | 2.62 2.57 | 35×45 | 3.14 | | | | | | | | |
| 15000 | 35×45 | 3.44 | | | | | | | | | | |

| WV μF | 80 | | 100 | | 160 | | 200 | | 250 | |
|----------|----------------|--------------|-------------------------|----------------------|-------------------------|----------------------|---|----------------------|----------------------------------|------------------------------|
| 100 | | | | | | | | | 22×30 | 0.32 |
| 150 | | | | | 22×30 | 0.37 | 22×35 | 0.42 | 22×40 25×30 | 0.44 0.43 |
| 220 | | | 22×30 | 0.48 | 22×40 25×30 | 0.50 0.49 | 22×45 25×40 30×30 | 0.56 0.58 0.57 | 22×50 25×40 30×35 35×30 | 0.58 0.58 0.60 0.61 |
| 330 | 22×30 | 0.59 | 22×40 25×30 | 0.66 0.65 | 22×50 25×40 30×30 | 0.67 0.67 0.65 | 25×50 30×40 35×30 | 0.77 0.77 0.75 | 30×45 35×35 | 0.80 0.79 |
| 470 | 22×40 25×35 | 0.79 0.82 | 22×50 25×40 30×35 | 0.86 0.86 0.89 | 25×50 30×40 35×30 | 0.87 0.86 0.84 | 30×50 35×40 | 0.99 0.98 | 35×45 | 1.03 |
| 680 | 25×40 30×35 | 1.04 1.07 | 30×40 35×30 | 1.12 1.09 | 30×50 35×40 | 1.12 1.11 | 35×50 | 1.28 | | |
| 1000 | 30×45 35×35 | 1.42 1.40 | 35×40 | 1.46 | 35×50 | 1.46 | Case size ΦD×L (mm) | | | |
| 1500 | 35×45 | 1.86 | | | | | Ripple current (A rms) at 125°C , 120Hz | | | |