

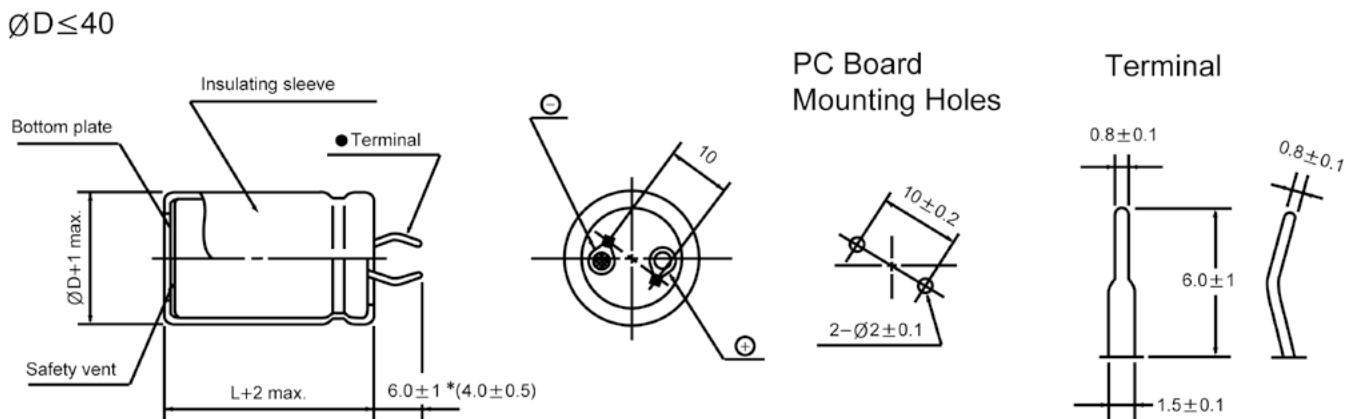
**LJ Snap-in Terminal Type Series**

- High voltage, high capacitance series
- Load life of 3000 hours at 85°C
- Complied to the RoHS directive

Items	Performance characteristics									
Operating temperature range	-40 ~ +85°C (10V~250V); -25 ~ +85°C (350V~500V)									
Leakage current max.	$I=3\sqrt{CV}$ (μA) (after 5 minutes)									
Capacitance tolerance	±20% at 120Hz, 20°C									
Dissipation factor max. (at 120Hz, 20°C)	WV	10	16	25	35	50	63	80,100	160~400	450,500
	Tanδ	0.55	0.50	0.40	0.35	0.30	0.25	0.20	0.15	0.20
Load life (after application of the rated voltage for 3000 hours at 85°C)	Leakage current					Less than specified value				
	Capacitance change					Within ±20% of initial value				
	Tanδ					Less than 200% of specified value				
Shelf life (at 85°C)	After 1000 hours no load test, leakage current, capacitance and tanδ are same as load life value.									

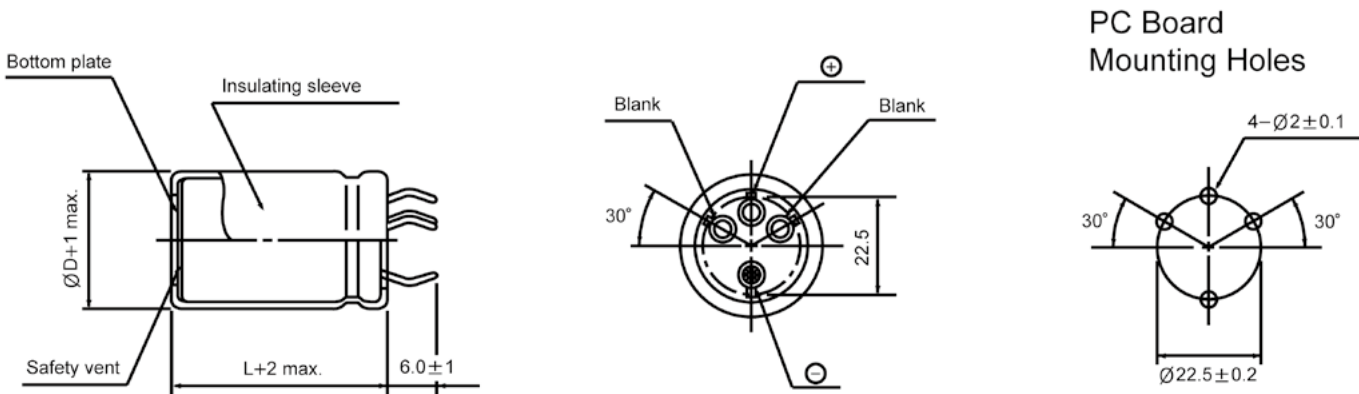
● DRAWING

Unit : mm



\* Shorter terminal(4.0±0.5) is also available upon request.  
Terminal length of height 20mm products is applied shorter terminal to standard terminal type.

∅D = 35, 40



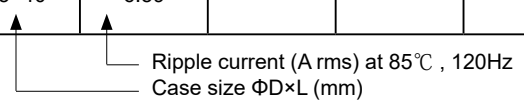
● FREQUENCY COEFFICIENT OF PERMISSIBLE RIPPLE CURRENT

Frequency	50Hz	120Hz	300Hz	1kHz	10kHz≤
WV ~ 100	0.85	1.00	1.06	1.15	1.20
160 ~ 250	0.85	1.00	1.20	1.25	1.45
350 ~	0.85	1.00	1.15	1.20	1.40

**LJ Series**

● DIMENSIONS & MAXIMUM PERMISSIBLE RIPPLE CURRENT

WV μF	10		16		25		35		50	
	2700									22×25
3300									22×30 25×25	2.40 2.35
3900							22×25	1.89	22×30 25×25	2.50 2.50
4700							22×30 25×25	2.29 2.26	22×35 25×30 30×25	2.91 2.98 3.01
5600							22×30 25×25	2.42 2.42	22×40 25×35 30×30	3.31 3.44 3.42
6800					22×25	2.24	22×35 25×30 30×25	2.82 2.89 2.89	22×45 25×40 30×35 35×25	3.70 3.81 3.93 3.80
8200					22×30	2.61	22×40 25×35 30×25	3.26 3.30 3.19	25×45 30×40 35×30	4.32 4.51 4.41
10000			22×30	2.68	22×35 25×30 30×25	3.24 3.14 3.25	22×45 25×40 30×30 35×25	3.57 3.65 3.60 3.60	25×50 30×45 35×35	4.83 5.04 4.88
12000	22×25	2.39	22×35 25×25	3.12 3.00	22×40 25×35 30×25	3.70 3.63 3.56	25×45 30×35 35×30	4.15 4.13 4.23	30×45 35×40	5.44 5.60
15000	22×30	2.86	22×40 25×30 30×25	3.67 3.58 3.70	25×40 30×30 35×25	4.09 4.00 4.07	25×50 30×40 35×35	4.76 4.76 4.90	35×45	6.53
18000	22×35 25×25	3.21 3.05	22×45 25×35 30×25	4.15 4.13 3.93	25×45 30×35 35×30	4.62 4.60 4.64	30×45 35×40	5.22 5.44	35×45	7.04
22000	22×40 25×30	3.74 3.64	25×40 30×30	4.44 4.38	25×50 30×40 35×30	5.14 5.17 5.05	35×45	6.28		
27000	22×45 25×35 30×25	4.06 3.98 3.57	25×45 30×35 35×25	4.89 4.84 4.71	30×45 35×35	5.98 5.88	35×50	6.90		
33000	25×40 30×30 35×25	4.50 3.99 4.57	30×40 35×30	5.50 5.41	35×40	6.59				
39000	25×45 30×30 35×30	5.17 4.55 5.18	30×45 35×35	6.19 6.09						
47000	30×35 35×35	5.15 5.76	30×50 35×40	6.80 6.75						
56000	30×40 35×40	5.61 6.45								



**LJ Series**

● DIMENSIONS & MAXIMUM PERMISSIBLE RIPPLE CURRENT

WV μF	63		80		100		160		200	
	220									22×20
270							22×20	1.30	22×25 25×20	1.37 1.35
330							22×25	1.50	22×25 25×20	1.51 1.49
390							22×25 25×20	1.63 1.62	22×25 25×25 30×20	1.73 1.71 1.71
470							22×30 25×20	1.86 1.86	22×30 25×25 30×20	1.97 1.95 1.88
560							22×30 25×25 30×20	2.15 2.15 2.05	22×35 25×30 30×25	2.18 2.15 2.15
680							22×35 25×30 30×25	2.35 2.33 2.33	22×40 25×30 30×25 35×25	2.48 2.48 2.48 2.33
820							22×40 25×30 30×25	2.68 2.65 2.64	22×45 25×35 30×30 35×25	2.81 2.79 2.80 2.83
1000							22×45 25×35 30×30 35×25	3.02 3.00 2.96 3.13	22×50 25×40 30×35 35×30	3.28 3.28 3.15 3.26
1200			22×25	1.77	22×30 25×25	2.02 2.06	22×50 25×40 30×30 35×25	3.47 3.43 3.41 3.40	25×45 30×35 35×30	3.61 3.61 3.57
1500			22×30 25×25	2.00 2.02	22×35 25×30	2.40 2.45	25×45 30×35 35×30	3.96 3.96 3.94	30×45 35×35	4.13 4.06
1800			22×35 25×30	2.35 2.35	22×40 25×35 30×30	2.76 2.81 2.84	30×40 35×35	4.31 4.28	30×50 35×40	4.60 4.59
2200	22×30	2.15	22×40 25×30 30×25	2.86 2.79 2.85	22×45 25×40 30×30 35×25	3.00 3.10 3.06 3.13	30×50 35×40	4.96 4.96	35×45	5.25
2700	22×30 25×25	2.38 2.42	22×45 25×35 30×30	3.23 3.05 3.17	25×45 30×35 35×30	3.59 3.57 3.66				
3300	22×35 25×30	2.72 2.74	22×50 25×40 30×30	3.18 3.28 3.24	30×40 35×35	4.15 4.18				
3900	22×40 25×35 30×25	3.07 3.16 3.00	25×45 30×35	3.62 3.60	30×45 35×35	4.58 4.51				
4700	22×45 25×40 30×30	3.44 3.55 3.51	25×50 30×40 35×30	4.22 4.23 4.12	35×40	5.18				
5600	22×50 25×45 30×35 35×30	3.92 4.01 3.98 3.93	30×45 35×35	4.66 4.59	35×50	5.91				
6800	25×50 30×40 35×30	4.47 4.48 4.38	35×40	5.20	↑ ↑ Ripple current (A rms) at 85°C , 120Hz Case size ΦD×L (mm)					
8200	30×45 35×35	5.07 4.99	35×45	5.86						
10000	30×50 35×40	5.75 5.68	35×50	6.61						
12000	35×45	6.47								

**LJ Series**

● DIMENSIONS & MAXIMUM PERMISSIBLE RIPPLE CURRENT

WV μF	250		350		400		450		500	
	56									22×20
68					22×20	0.65	22×20	0.71	22×25 25×20	0.59 0.59
82					22×20	0.85	22×25 25×20	0.86 0.84	22×30 25×25	0.68 0.65
100			22×20	0.80	22×25 25×20	0.99 0.82	22×25 25×25	0.95 0.97	22×35 25×30 30×25	0.79 0.82 0.82
120			22×25 25×20	1.04 1.05	22×25 25×20	1.09 1.13	22×30 25×25 30×20	1.07 1.09 1.12	22×40 25×35 30×25	0.94 0.94 0.95
150			22×25 25×25	1.20 1.22	22×30 25×25 30×20	1.24 1.27 1.20	22×35 25×30 30×25	1.18 1.25 1.29	22×45 25×35 30×30	1.09 1.10 1.13
180			22×30 25×25	1.34 1.37	22×30 25×25 30×25	1.41 1.44 1.52	22×35 25×35 30×25	1.32 1.40 1.45	22×50 25×40 30×35 35×25	1.27 1.30 1.30 1.27
220	22×25 25×20	1.24 1.22	22×30 25×30 30×25	1.47 1.53 1.54	22×35 25×30 30×25	1.58 1.64 1.66	22×40 25×35 30×25 35×25	1.48 1.59 1.59 1.64	25×45 30×40 35×30	1.50 1.50 1.48
270	22×25 25×25	1.50 1.32	22×35 25×30 30×25	1.70 1.73 1.80	22×40 25×35 30×30 35×25	1.65 1.79 1.82 1.63	22×50 25×40 30×30 35×25	1.88 1.87 1.89 1.90	30×45 35×35	1.81 1.72
330	22×30 25×25 30×20	1.66 1.61 1.58	22×45 25×35 30×30 35×25	1.87 1.97 2.03 1.80	22×50 25×40 30×30 35×25	1.95 2.00 2.05 2.05	25×45 30×35 35×30	2.12 2.12 2.15	35×40	1.99
390	22×35 25×30 30×25	1.88 1.88 1.86	22×50 25×40 30×30 35×25	2.08 2.14 2.23 2.30	25×45 30×35 35×30	2.12 2.26 2.28	30×40 35×35	2.30 2.35	35×45	2.34
470	22×35 25×35 30×25	2.15 2.15 2.04	25×45 30×35 35×30	2.55 2.53 2.55	25×50 30×40 35×30	2.46 2.51 2.51	30×45 35×35	2.68 2.68	35×50	2.81
560	22×40 25×35 30×25 35×25	2.48 2.35 2.35 2.35	25×50 30×40 35×35	2.70 2.73 2.75	30×45 35×35	2.85 2.85	35×40	2.88		
680	22×50 25×40 30×30 35×25	2.61 2.67 2.71 2.58	30×45 35×35	3.15 3.15	30×50 35×40	3.01 3.01	35×50	3.44		
820	25×45 30×35 35×30	3.01 2.98 2.96	35×40	3.47	↑↑↑ Ripple current (A rms) at 85°C , 120Hz Case size ΦD×L (mm)					
1000	30×40 35×35	3.56 3.48								
1200	30×45 35×35	3.99 3.84								
1500	30×50 35×40	4.33 4.33								
1800	35×50	4.76								